

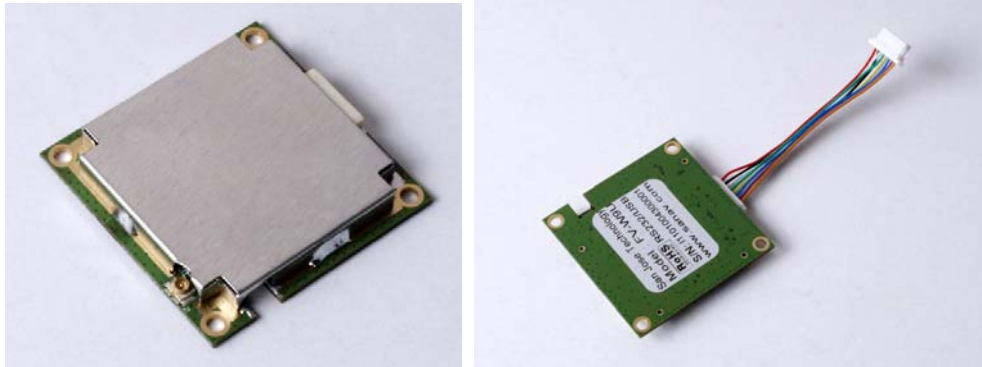


# GPS Engine Board

## Model: FV-W9U

WI-RD-D-016 V1.0

Perfect match for any GPS application portable devices



### Overview:

The main goal of FV-W9U is used as a part of integrated system, which can be a simple PVT (Position-Velocity-Time) system, for instance, G-mouse, PND (Personal Navigation Device), or complex wireless systems, such as a system with GSM function, a system with Bluetooth function, and a system with GPRS function. FV-W9U can be the best candidate for users' systems as the users' systems need the careful consideration on the performance, sensitivity, power consumption, and/or size of the module.

### Features:

- Full EMI Shielding
- 50 parallel channels
- -160 dBm high GPS sensitivity
- Up to 5Hz update rate

### Application:

- Personal Navigation Device including GPS PDA and GPS Handheld
- Mobile phone and smart phone
- GPS receiver and GPS mouse
- Personal positioning and navigation
- Automotive/Marine navigation
- Timing application

© 2012 San Jose Technology, Inc. All specifications subject to change without notice.

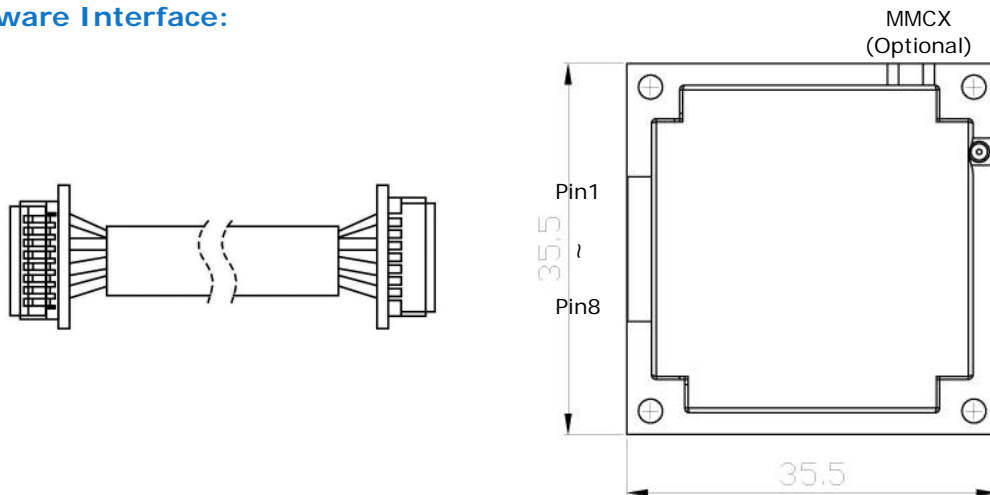


### Specifications:

Parameter	Specification		
Receiver Type	50 Channels GPS L1 Frequency, CA Code SBAS: WASS, EGNOS, MSAS, GAGAN		
Time-To-First-Fix	Hot Start	1s	
	Warm Start	40 s	
	Cold Start	45 s	
	(All satellites at -130 dB)		
Sensitivity	Tracking & Acquisition	-160dBm	
	Reacquisition	-160dBm	
	Cold Start	-147dBm	
Horizontal Accuracy	Autonomous	<2.5 m	
	SBAS	<2.0 m	
Accuracy of Time pulse Signals	RMS	30ns	
	99%	<60ns	
	Time pulse	Configurable: 0.25....1000 Hz	
Max Navigation Update Rate	Up to 5Hz	1Hz(Default)	
Velocity Accuracy		0.1 m/s	
Heading Accuracy		0.5 degrees	
Dynamics		<4g	
Operational Limits	Velocity	500 m/s	
Operating temperature	-30 °C ~ + 85 °C		
Storage temperature	-40 °C ~ +85 °C		
Humidity	≦95%		
Power Supply	3.3~5V +- 5%		
External Antenna	GPS antenna with 3V power input		
Current Consumption	Avg. 55mA w/o ext. Antenna		
Baud Rate	9600 bps (default) & 4800/9600/38400/57600/115200 bps are adjustable		
Protocol	NMEA0183 V3.00		
Signal level	UART (Default), Optional: USB		
Output Sentences	Standard: GGA, RMC, GSV, GSA, VTG, GLL.		
	Option: ZDA		
Dimension	L35.4mm*W35.4mm*H4.3mm ,With4 fix holes		
Weight	8 grams		
RF Connector	IPEX		
Construction	Full EMI Shielding		

\*This specification is subject to change without prior notice

### Hardware Interface:



©2012 San Jose Technology, Inc.  
All specifications subject to change without notice.

### Pin Assignment:

Pin	Signal Name	Description	Type
1	1pps	Timepulse signal	Output
2	GND	Ground	Power
3	RX1	Serial Data Input (Command)	Input
4	TX1	Serial Data Input (Command)	Output
5	VIN	3.3V~5V DC Power Input	Power
6	GND	Ground	Power
7	D+	USB+	Input/Out
8	D-	USB-	Input/Out

### Mechanical Diagram:

