



# LTE Antenna

## MODEL: LTE-4C

LTE Multi-band Antenna for 2G, 3G, 4G applications.

WI-RD-D-025 V1.0



©2013 San Jose Technology, Inc. All specifications subject to change without notice.

### Overview:

The **LTE-4C** is the multi-band antenna, which covers 700~2700MHz. It is specially designed for 2G, 3G and 4G applications. The high sensitivity of **LTE-4C** will be the best candidate for your alternative.

### Features:

1. Low profile structure
2. Both permanent and magnetic mountings are available
3. Covers all the mobile communication network
4. Fully waterproof

### Applications:

1. Vehicle Tracking
2. Asset Tracking
3. Telemetry Application
4. 4G Application

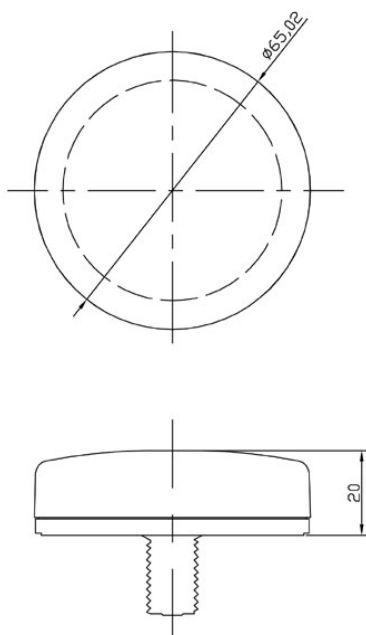
**Specification:**

Category	Communication Antenna
Frequency	704~960 MHz, 1710~2690 MHz
Gain(Without Cable)	5dBi@700~960MHz(1m Cable) 2dBi@1710~2690MHz(1m Cable)
V.S.W.R	<2.0
Noise Figure	--
Band Width	--
Impedance	50 Ohm
Cable/Connector	1m RG-174 Cable-SMA(P)
Polarization	Linear
Power supply	--
Power Consumption	--
Power Handling Capacity	5W
Dimension	65mm(Dia.) x 20mm(H)
Operation Temperature	-40degC to +80degC
Storage Temperature	-45degC to +100degC

©2013 San Jose Technology, Inc.  
All specifications subject to change without notice.

- \* This specification is subject to change without prior notice
- \* Customization specifications is welcome
- \* The test is taken in the SANAV CTIA standard 3D RF chamber

**Mechanical Diagram:**



Tolerance:  $\pm 0.5\text{mm}$